

XENON STROBE - Low Profile



- Ideal for Indoor and Outdoor Applications
- Compact Size
- Flame Retardant Plastic

XENON STROBE - Low Profile

The W.L. Jenkins Company Low Profile Pulse Extension DC Xenon Strobe is ideal for vehicular or stationary indoor or outdoor applications. The small compact size provides neat appearance without sacrificing visibility.

FEATURES

- Flash rate - 60 F.P.M.
- Material - Flame retardant plastic
- Input voltage - 12 VDC
- Candle power - 150,000 C.P.

APPLICATIONS

The Xenon Strobe is utilized where caution signals are required:

- **Manufacturing Facilities** upon entering into a caution area
- **Industrial and Commercial Mobile Equipment**
- **Service Vehicles** utility and tow trucks
- **Large Construction Equipment** earth moving vehicles, van dump trucks and salt trucks

See other side for ordering information and specifications

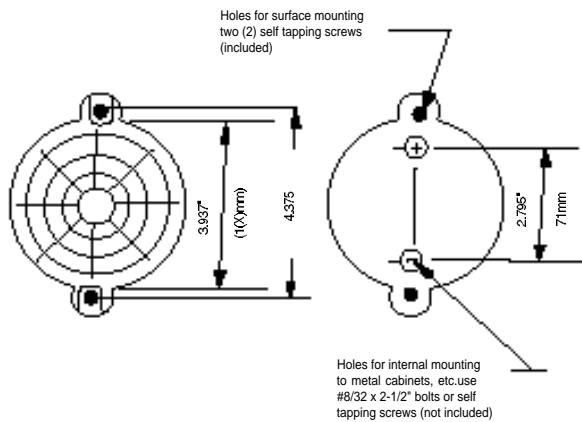
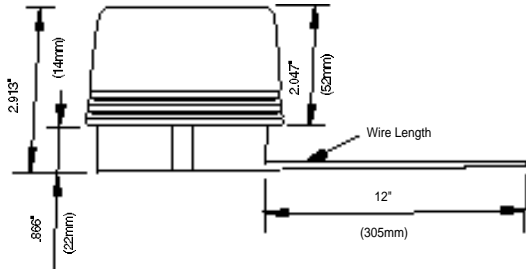


The W.L. Jenkins Company
1445 Whipple Ave., S.W. • Canton, Ohio 44710-1321
330-477-3407 • Fax: 330-477-8404
www.wljenkinsco.com

XENON STROBE - Low Profile

Ordering Information and Specifications

Size and Mounting



Specifications

Input Voltage	12 Volt DC
Input Current	140 MA.
Flash Rate	60 Per Minute
Candle Power	150,000 CP.
Operating Life	800 Hours
Material	UL-94 Flame Retardant Plastic
Lens	High Strength, Impact-Resistant Polycarbonate
Dimensions	4" Diameter x 3" High
Model No.	JXS-R – Red JXS-B – Blue JXS-A – Amber JXS-G – Green JXS-C – Clear



The W.L. Jenkins Company
 1445 Whipple Ave., S.W. • Canton, Ohio 44710-1321
 330-477-3407 • Fax: 330-477-8404
www.wljenkinsco.com