

WEATHERPROOF BOX SUPPORT COUPLINGS

Stabilize Outdoor Electrical Boxes



Model #'s:
810 1/2" THD
1010 3/4" THD

Patented

- Cost Effective
- Fast Installation
- Neat Appearance
- Variety of Applications

WEATHERPROOF BOX SUPPORT COUPLINGS – Patented

The W.L. Jenkins Support Coupling is a unique, simple and economical device that eliminates the troublesome installation problem of anchoring outside light fixture boxes.

The next time you decide to do it your way, time yourself and then calculate your total costs. We are sure you will agree that The W.L. Jenkins Support Couplings are truly a cost-effective fitting.

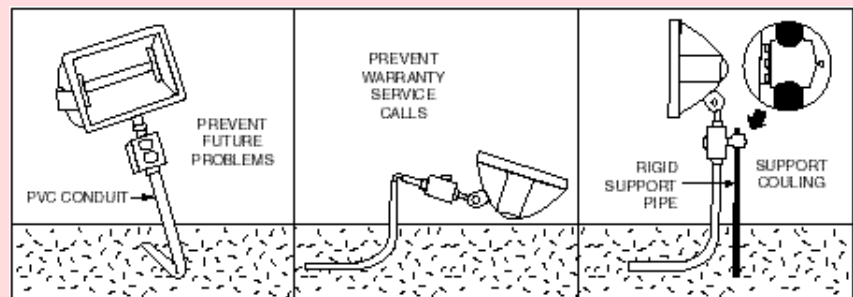
FEATURES

- Cost Effective
- Fast Installation
- Neat Appearance

APPLICATIONS

For installation of outside light fixtures for motels, hotels, corporate buildings, restaurants and residences.

See other side for ordering information and specifications



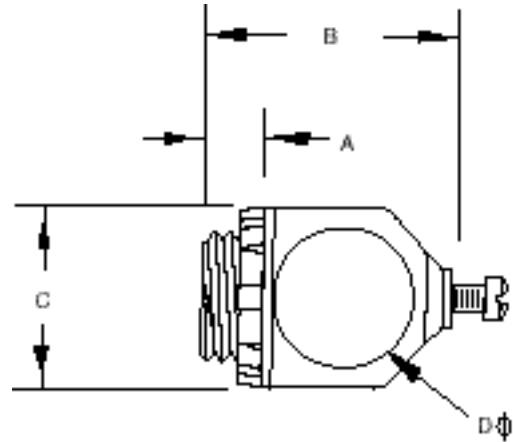
The W.L. Jenkins Company
1445 Whipple Ave., S.W. • Canton, Ohio 44710-1321
330-477-3407 • Fax: 330-477-8404
www.wljenkinsco.com

WEATHERPROOF BOX SUPPORT COUPLINGS

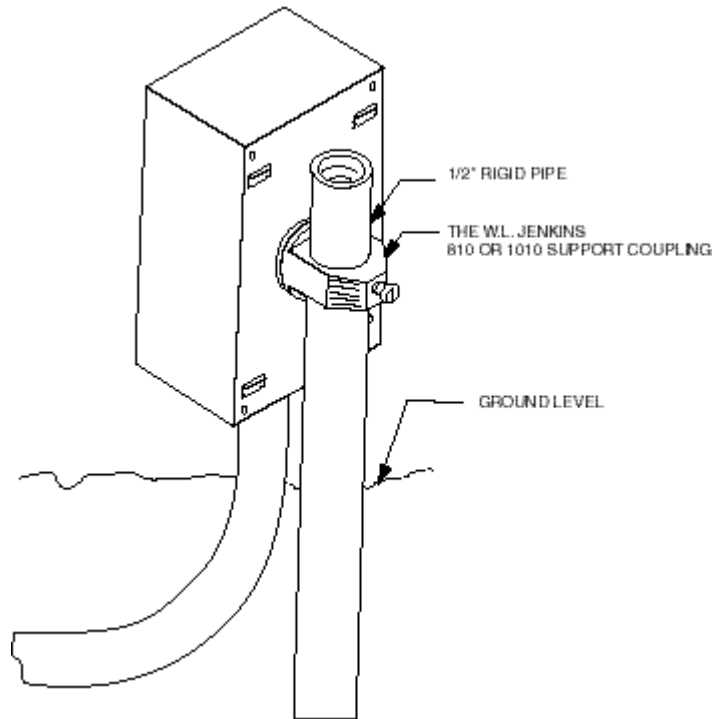
Ordering Information and Specifications



Zinc Die-Cast



Catalog #	Trade Size	Unit Pkg.	Std. Pkg.	Dim A	Dim B	Dim C	Dim D
810	1/2"	25	100	.380	1.550	1.125	.860
1010	3/4"	25	25	.380	1.550	1.125	.860



IS:
0 into the
assembly is
rigid steel



The W.L. Jenkins Company
1445 Whipple Ave., S.W. • Canton, Ohio 44710-1321
330-477-3407 • Fax: 330-477-8404
www.wljenkinsco.com